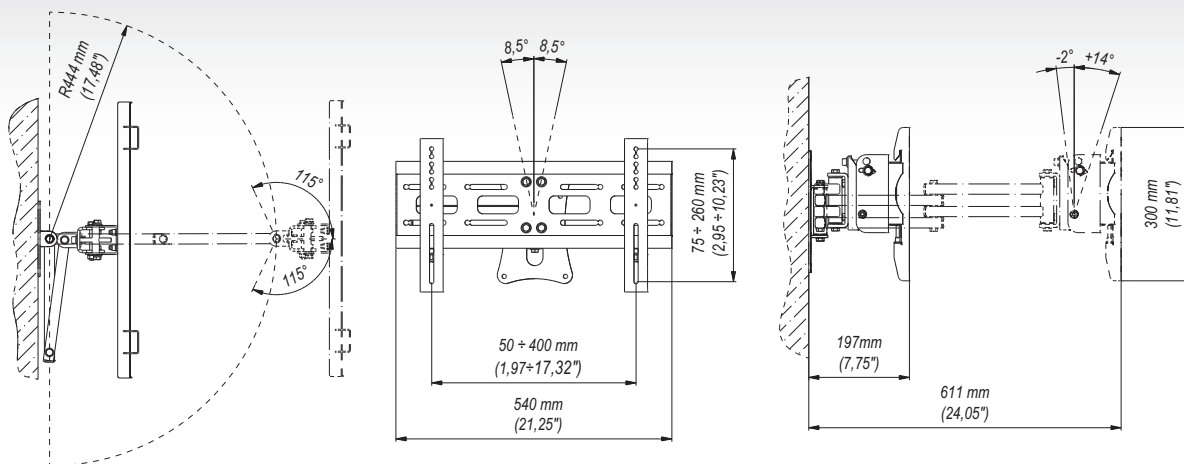




# LWS1 ■ Swing Arm Wall Mount Set 26"-40"

## Features

- 1 **ADJUSTABLE POSITION**  
3 axes of rotation
- 2 **QUICK INSTALLATION**  
easy installation of the product
- 3 **SAFETY**  
safety bolt



## Trade Information

Index	Colour	Package	EAN
LWS1c-R	■	■	5908252962235
LWS1s-R	■	■	5908252962433

Package Dimensions [mm] (H x W x D)	345x180x585
Weight [Kg]	12

## Technical Data

75x75 mm 100x100 mm 200x100 mm 200x200 mm 400x200 mm	-2°/+14°	26"-40"	min. 197 mm max. 611 mm
115°/115°	60 Kg		min. 50x75 mm max. 400x260 mm
-8,5°/+8,5°			